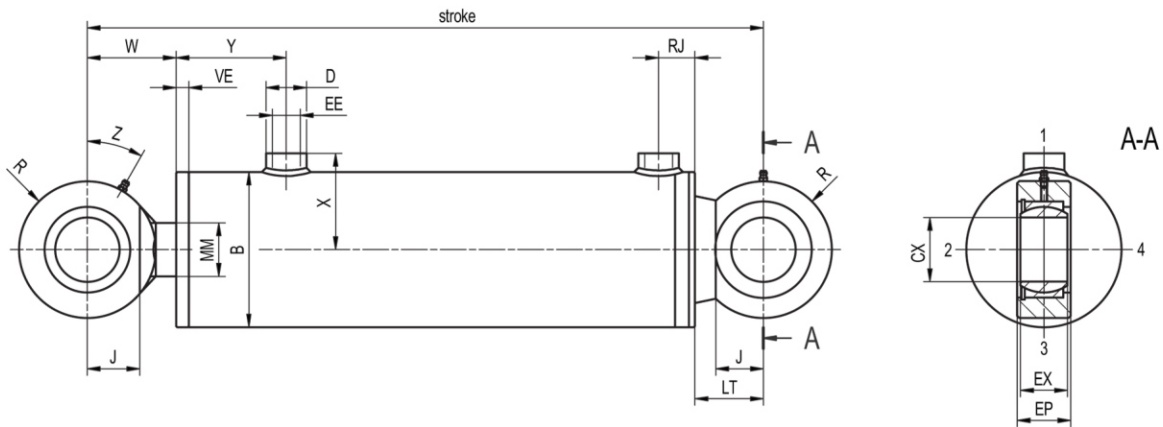


MD18 SC

double acting hydraulic cylinders



All dimensions are in millimetres.

Piston Ø	MM Ø	B	X	D	EE	WF	VE	Y	RJ
25	14	35	32	20	G 1/4	14	8	34	13
40	20/25	50	41	26	G 3/8	26	10	47	16
50	25/32	60	46	26	G 3/8	28	10	47	15
63	32/40	75	56	30	G 1/2	21	10	55	17
80	40/45	95	66	30	G 1/2	25	10	62	22
100	50/63	115	78	38	G 3/4	44	10	67	22
125	70	145	93	38	G 3/4	38	12	80	30

* At stroke up to 10 mm LO is extend for 10 mm.

Piston Ø	R	J	W	LT	Z	CX Ø	EX	EP	LO
25	16	11	22	16	0	10	9	12	107*
40	27.5	20	44	27.5	0	20	16	20	180
50	32	25	50	32	30	25	20	25	190
63	38	30	49	38	30	30	22	28	205
80	45	35	60	45	30	35	25	30	240
100	53	42	87	53	0	45	32	35	280
125	70	57	96	70	0	60	44	50	330

